

54-110 Connector and terminal block locations

Connectors on components for test

		Plate/Figure No.
A2x1	Connector, radio	10/42
A9x	Connector, A/C compressor	9/36
B10/5x	Connector, outside air temperature sensor	1/3
B10/6x	Connector, evaporator temperature sensor	4/18
B14x	Connector, outside temperature gauge	2/7
G3/2x1	Connector, oxygen sensor heater coil	5/21
G3/2x2	Connector, oxygen sensor signal	5/21
L6x	Connector, speed sensor, cable harness, rear axle	11/45
L6/1x	Connector, speed sensor, cable harness, front axle, left	9/39
L6/2x	Connector, speed sensor, cable harness, front axle, right	9/39
L6/3x	Connector, speed sensor, rear axle, left	11/47
L6/4x	Connector, speed sensor, rear axle, right	11/47
M4x	Connector, auxiliary fan	9/38
M14/1x1	Connector, voltage supply, supply pump, central locking system	9/37
M14/1x2	Connector, control line, supply pump, central locking system	9/37
M14/2x1	Connector, voltage supply, supply pump, central locking system with orthopedic front seat backrest	9/37
M14/2x2	Connector, supply pump, control line, central locking system with orthopedic front seat backrest	9/37
M16/1x	Connector, adjusting element, electronic accelerator pedal control	8/34
N26/1x1	Connector, emergency alarm control unit	10/40
N26/1x2	Connector, emergency alarm control unit/combination switch	10/10
R25x	Connector, nominal value potentiometer, electronic accelerator pedal control	8/32
S8/2x	Connector, warning buzzer contact illumination/central locking system	10/41
S29/2x	Connector, throttle valve switch, full load/idle speed identification (6-cylinder)	7/28
S29/2x	Connector, throttle valve switch, full load/idle speed identification (8-cylinder)	7/29
S68/3x	Connector, belt buckle switch/airbag, belt tensioner, driver	10/43
S68/4x	Connector, belt buckle switch/airbag, belt tensioner, front passenger	10/43

54-110 Connector and terminal block locations

Terminal blocks and connectors

Note: On certain connectors it may be that the cable arrangement has been confused; observe color of wiring.

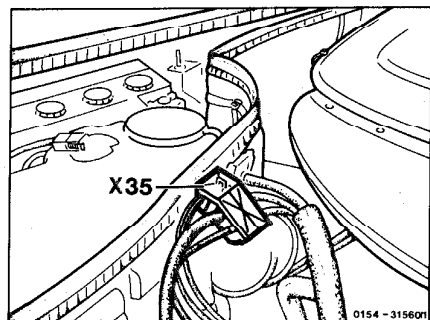
		Plate/Figure No.
X1/4	Connector, automatic antenna	4/19
X1/5	Connector, sound system feed (amplifier) terminal 30	5/22
X2	Connector, electronic speedometer/instrument cluster (1-pole)	6/25
X3	Terminal block, electronic speedometer	6/25
X4	Terminal block, terminal 30, fuse and relay box	5/22
X4/1	Terminal block, terminal 30/interior (2-pole)	5/22
X4/4	Terminal block, terminal 30/warning flasher system emergency alarm	5/22
X6	Terminal block, terminal 58d (2-pole)	5/23
X6/1	Terminal block, terminal 58D (1-pole)	5/23
X9	Connector, 1-pole, terminal 30	7/31
X11	Diagnostic socket/terminal block, terminal TD	1/4
X11	Diagnostic socket/terminal block, terminal TN anti-knock control (AKR)	1/4
X18	Connector, interior/tail lamp wiring harness (12-pole)	5/22
X18/5	Connector, rear left brake pad sensor (1-pole)	5/22
X18/6	Intermediate connector, left auxiliary turn signal lamp	2/8
X18/7	Intermediate connector, right auxiliary turn signal lamp	2/8
X21/1	Terminal block, brake light switch	6/25
X21/2	Terminal block, brake light switch/electronic speedometer	6/25
X22/1	Connector, transmission overload protection (2-pole)	5/21
X24	Connector, headlamp wiring harness	2/7
X26	Connector, interior/engine (12-pole)	1/3
X27	Connector, starter wiring harness	2/9
X28/1	Connector, ETR voltage supply	5/24
X28/2	Connector, SRS voltage supply	5/24
X28/4	Connector, airbag/squib (driver)	6/25
X28/5	Slip ring, airbag/squib (2-pole)	6/26
X28/7	Connector, airbag/test connection	5/24
X29	Test connection, ETR	5/21
X29/3	Test connection, trip computer	2/9
X29/9	Test connection/connector airbag (10-pole)	5/21
X30	Connector, optional electrical equipment	4/17
X33	Connector, CIS-E/cruise control (1-pole)	2/7
X34	Intermediate connector, right front door contact switch	11/44
X34/3	Intermediate connector, door contact switch/entrance/exit lamp, front right	11/44
X34/4	Intermediate connector, door contact switch/entrance/exit lamp, rear left	11/46
X34/6	Intermediate connector, door contact switch/entrance/exit lamp, left	8/35
X34/7	Intermediate connector, door contact switch/entrance/exit lamp, right	8/33
X34/8	Intermediate connector, backrest release/warning buzzer contact	8/33
X35	Terminal block, terminal 30/terminal 61 (battery)	1/1
X36	Connector, fuel pump wiring harness	6/27
X37/1	Connector, left front door wiring harness (EDW)	3/13
X37/2	Connector, right front door wiring harness (EDW)	3/13
X40	Connector, radio (EDW) (1-pole)	4/19
X41	Connector, switched ground (EDW)	1/2
X42	Connector, front/rear EDW	5/21
X42/6	Connector, EDW door contact switch, front left	8/35
X43	Connector, central locking system (EDW)	3/11
X47	Connector, rear speed sensor wiring harness (2-pole)	3/10
X49/1	Connector, back-up lamp switch	5/23
X49/2	Connector, back-up lamp/starter lock-out switch	5/23

54-110 Connector and terminal block locations

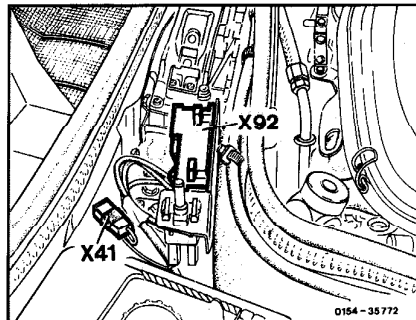
X52	Connector, trailer hitch	4/15
X54/2	Connector, power seat voltage supply	5/23
X57/1	Connector, left tail lamp (trailer hitch)	3/12
X57/2	Connector, right tail lamp (trailer hitch)	3/12
X58	Socket, trailer hitch	3/14
X61	Connector, trip computer	6/27
X62/1	Connector, left rear wheel speed sensor (2-pole)	6/27
X62/2	Connector, right rear wheel speed sensor (2-pole)	6/27
X62/5	Connector, ASD valve (2-pole)	3/11
X63	Connector, steering wiring harness	5/20
X64	Connector, blower speed control/interior wiring harness	4/16
X73/1	Connector, circulating pump/auxiliary heater (2-pole)	2/6
X74	Connector, fuel metering pump	6/27
X75/3	Connector, mono valve/auxiliary heater (2-pole)	2/6
X75/4	Connector, duo valve/auxiliary heater (4-pole)	2/6
X76	Connector, auxiliary heater air volume switch	1/5
X82	Connector, economy program switch-over valve	5/23
X84	Connector, power window voltage supply (4-pole)	5/23
X87/1	Connector, signal system (1-pole)	5/20
X89/1	Connector, control unit accelerator/ASR (2-pole)	5/22
X89/2	Connector, control unit electronic accelerator/engine wiring harness (2-pole)	2/9
X89/3	Connector, control unit electronic accelerator/automatic transmission (2-pole)	4/18
X90	Terminal block, terminal 15/30 auxiliary heater	7/30
X92	Diagnostic test coupling, 8-pole (blink code)	1/2

54-110 Connector and terminal block locations

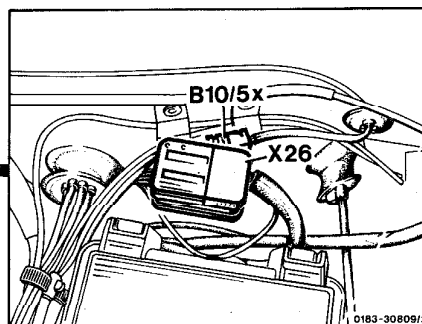
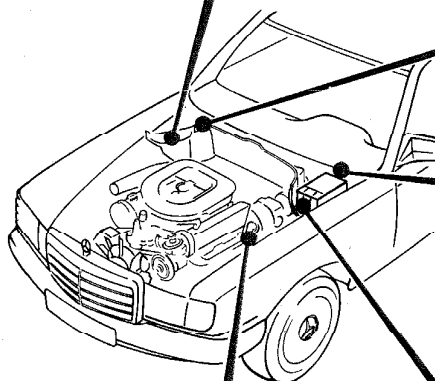
Plate 1



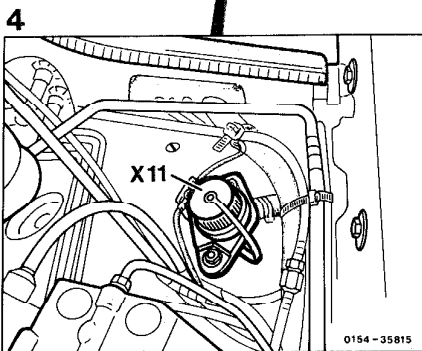
1



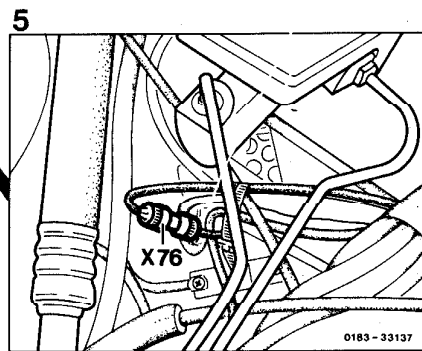
2



3



4

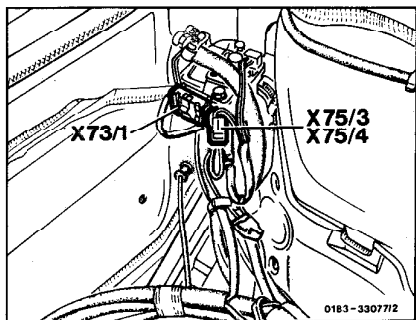


5

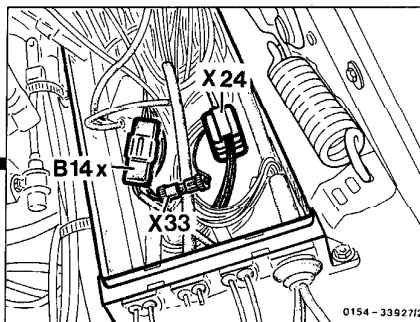
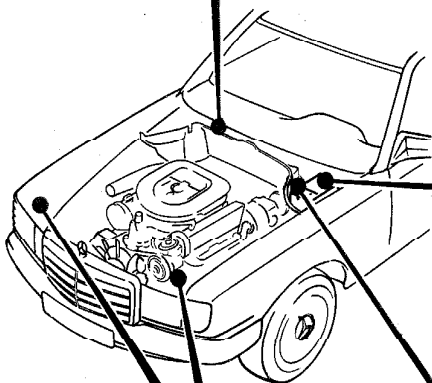
1543-16238

54-110 Connector and terminal block locations

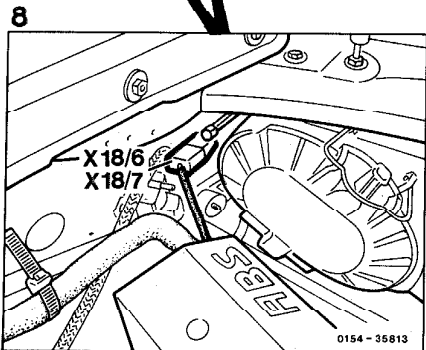
Plate 2



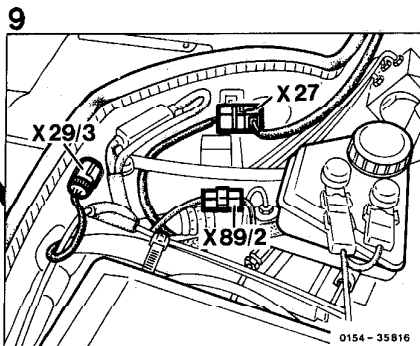
6



7



8

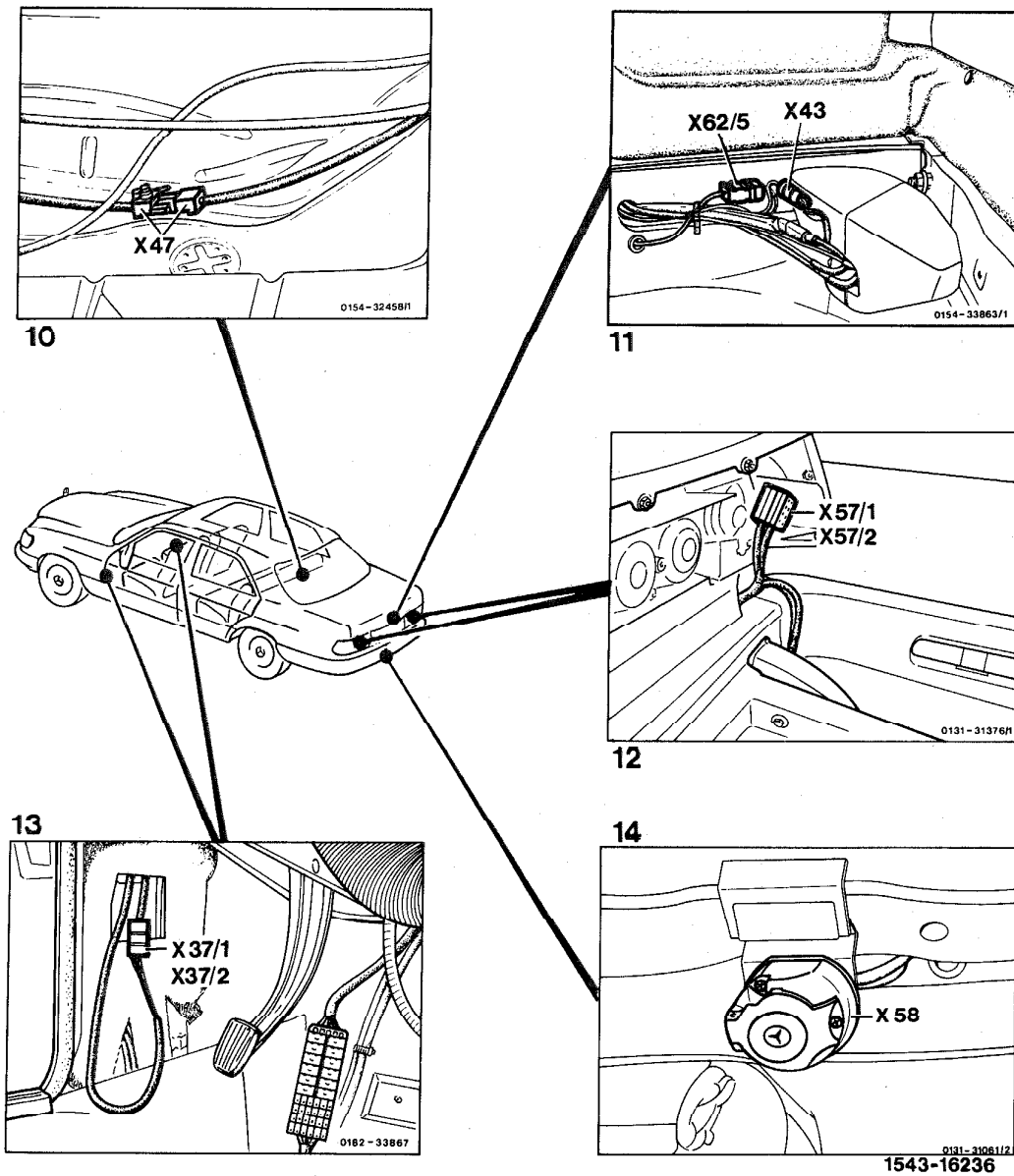


9

1543-16237

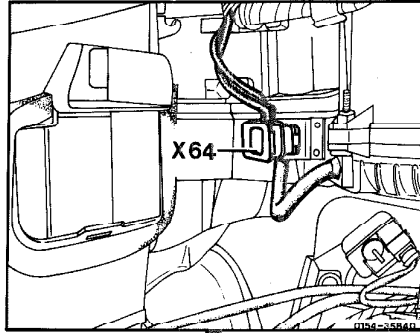
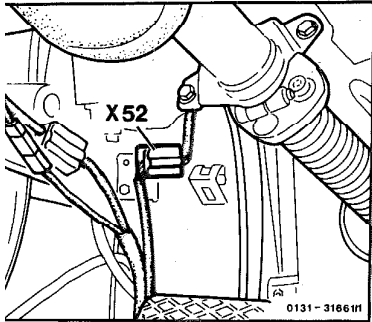
54-110 Connector and terminal block locations

Plate 3

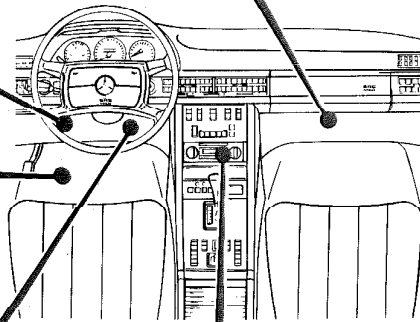
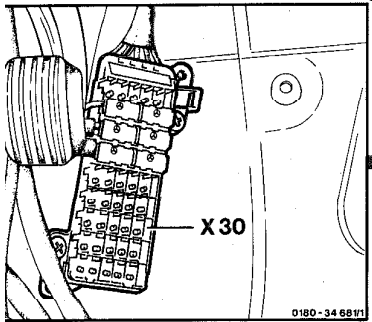


54-110 Connector and terminal block locations

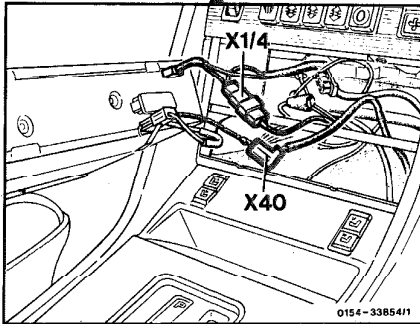
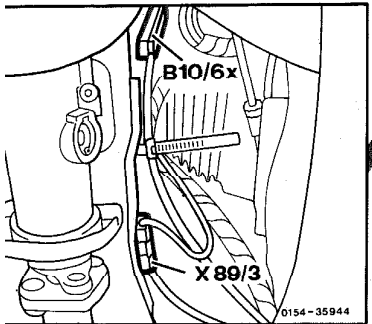
te 4



16



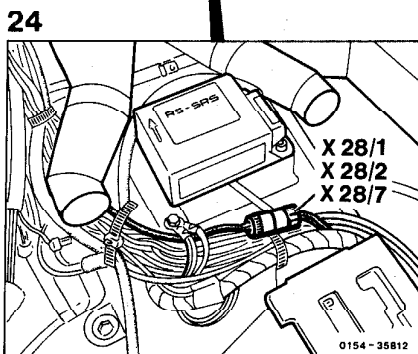
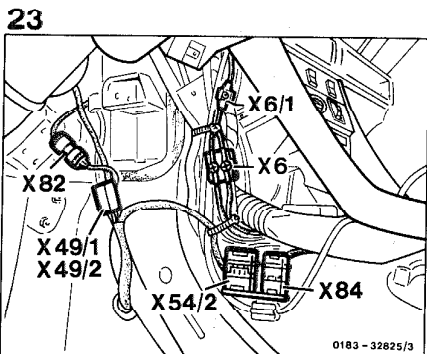
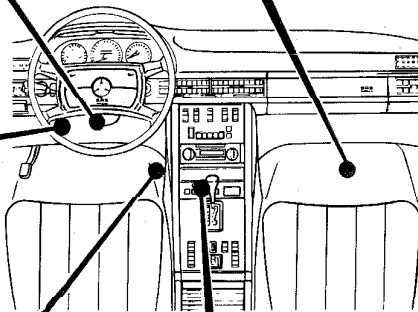
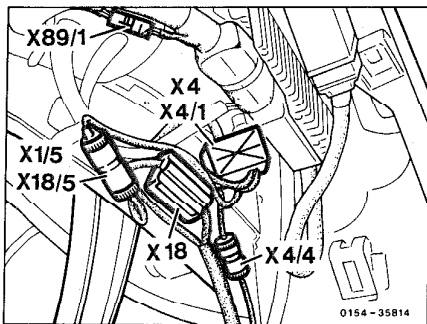
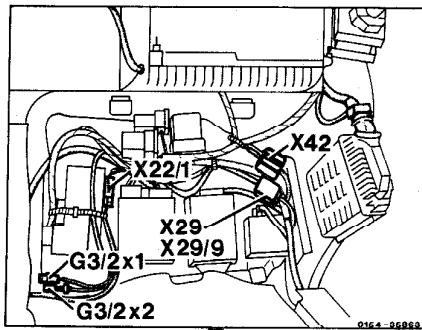
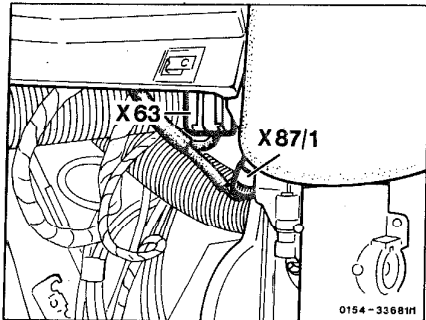
19



1543-16235

54-110 Connector and terminal block locations

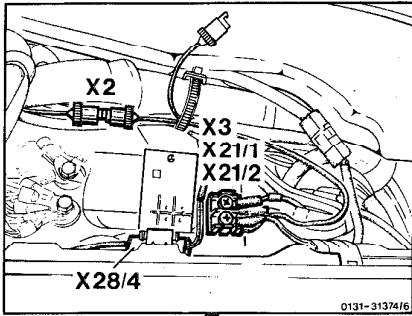
Plate 5



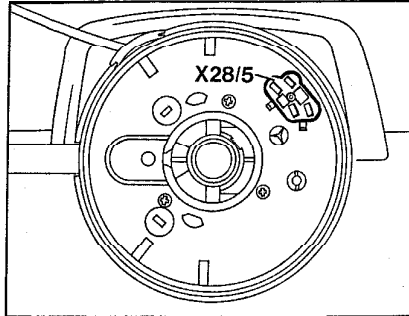
1543-16239

54-110 Connector and terminal block locations

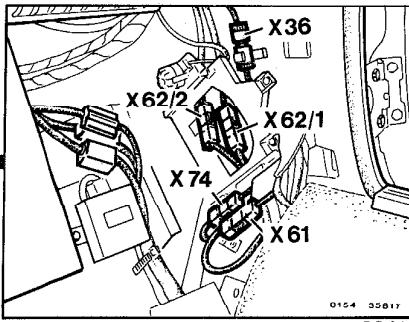
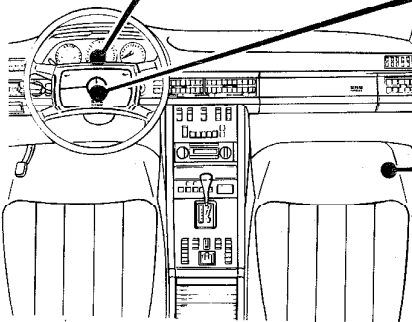
Plate 6



25



26

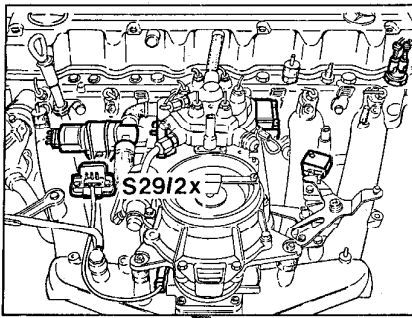


27

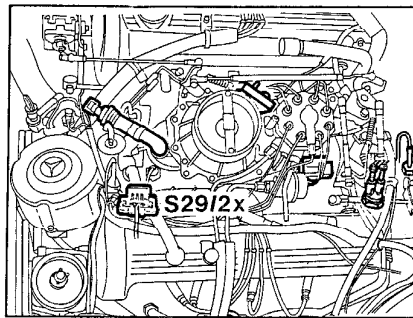
1543-16234/1

54-110 Connector and terminal block locations

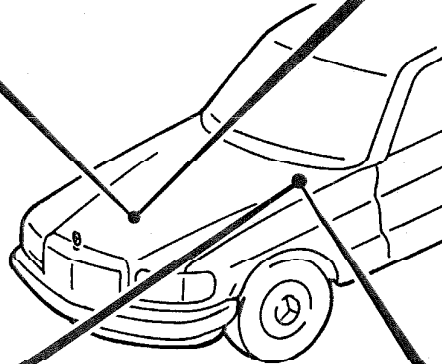
Plate 7



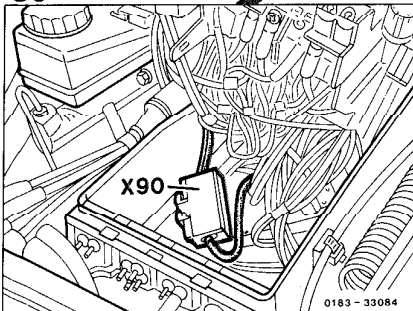
28



29

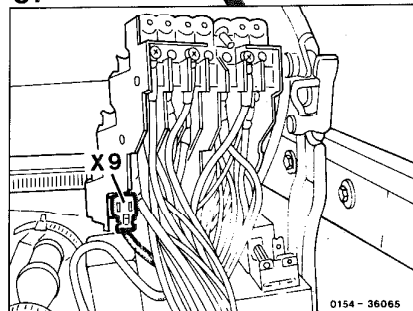


30



0183 - 33084

31

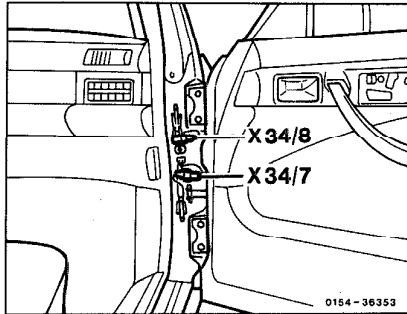
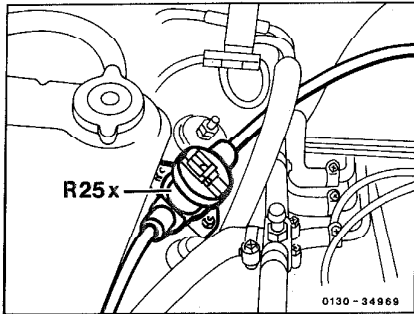


0154 - 36065

1543-16724

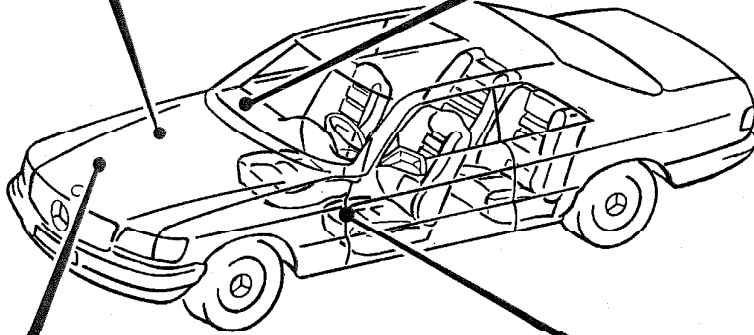
54-110 Connector and terminal block locations

Plate 8

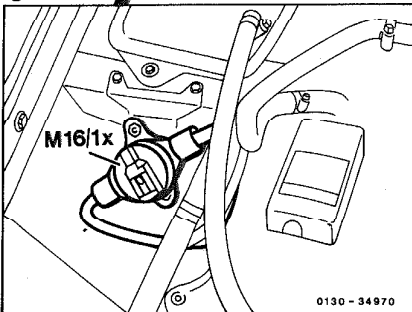


32

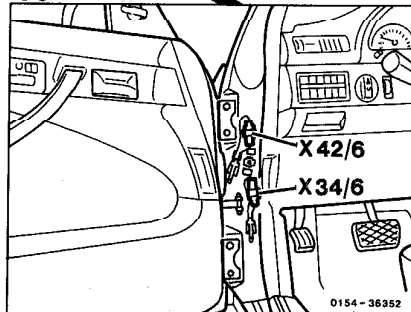
33



34



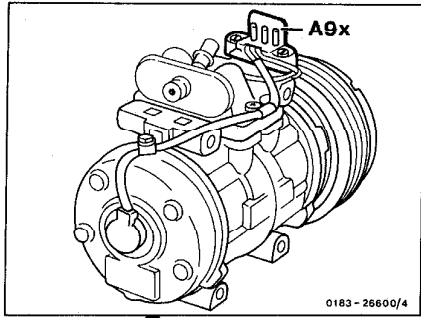
35



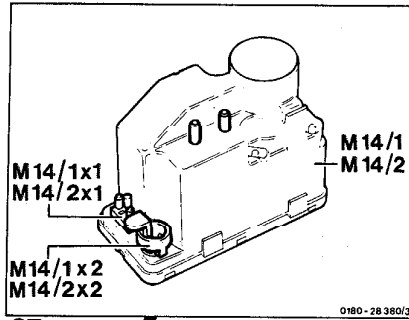
1543-16721

54-110 Connector and terminal block locations

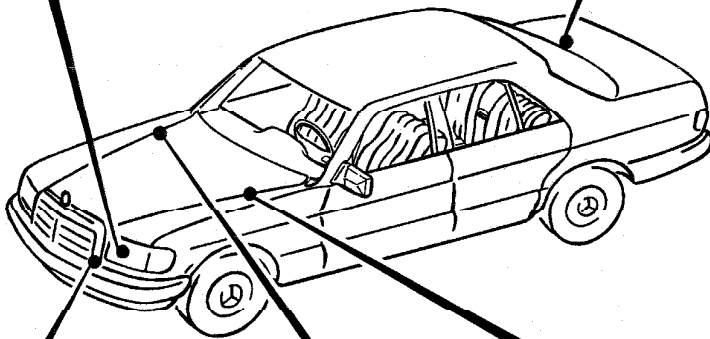
Plate 9



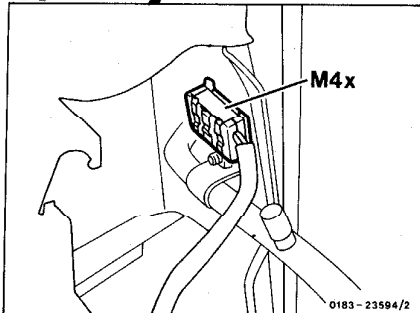
36



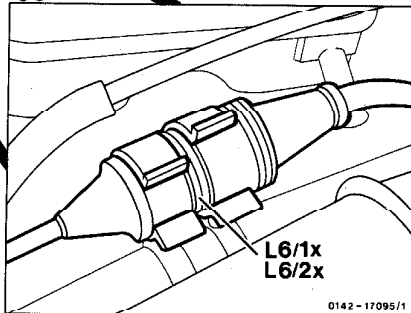
37



38

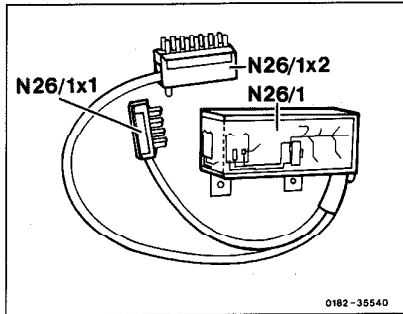


39

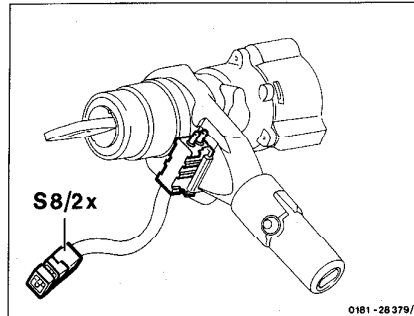


54-110 Connector and terminal block locations

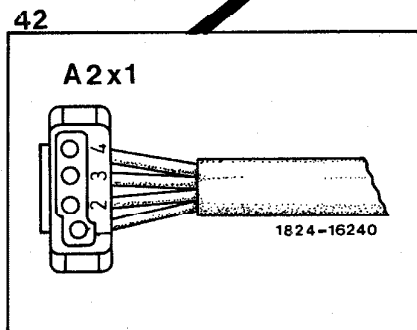
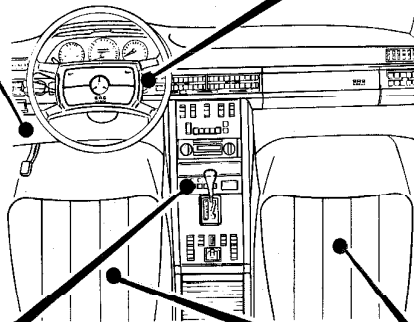
Plate 10



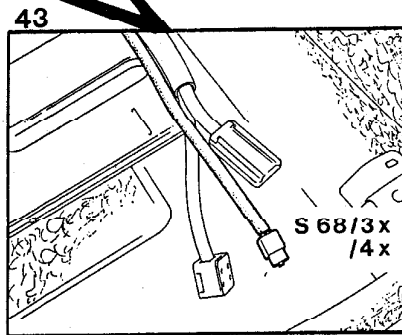
40



41



42



43

54-110 Connector and terminal block locations

Plate 11

